

Non spring return plant valve actuators

VA-7200

Floating and proportional control

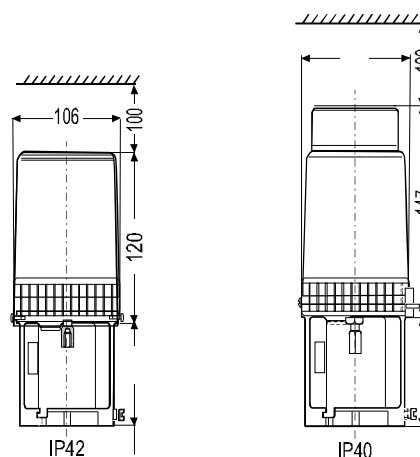
The VA-720x series synchronous motor driven actuator provides floating or proportional control of valves, with up to 19 mm stroke in heating, ventilation and air conditioning applications.

This compact, non-spring return actuator has a 1000N nominal force and responds to a variety of input signals.

The VA-7200 series can be easily field mounted or ordered factory coupled to VG7000, VG8000, VG9000 and VGS800 Series valves in accordance with the specified maximum close-off pressure ratings.

Features

- ▶ 1000N force output compact unit
- ▶ Magnetic clutch
- ▶ Signal fail "safe position"



Dimensions in mm

Ordering information

Codes	Supply voltage (50/60 Hz)	Control	Motor rating	Protection class
For VG7000 series valves				
VA-7200-1001	24 VAC	Floating	5 W	IP42
VA-7202-1001		Proportional 0...10 VDC / 0(4)...20 mA		
For VG8000 / VG9000 / VGS8000				
VA-7200-8201	24 VAC	Floating	5 W	IP42
VA-7202-8201		Proportional 0...10 VDC / 0(4)...20 mA		