

DS2

Air differential pressure switch



Summary **Pressure switch for monitoring above-atmospheric pressure, differential pressure and below-atmospheric pressure of air, gaseous, non-aggressive, non-combustible media in air ducts, ventilation and exhaust devices. For monitoring flow at electric heating registres, V-belts and filters, as protection against lack of air pressure or as limit value controller.**

Application • **HVAC systems – air pressure detection**

Function A diaphragm transmits the differential air pressure to a contact which is available at the terminals. Setpoint element to set the switching is adjustable by a screwdriver.

Technical data	Switching capacity	5 (0.8) A, 250 V AC, 4 (0.7) A, 30 V DC
	Contact	Potential-free single pole change-over switch multi-layer contact, galvanic golded
	Cover	base: material PC (10% glass fibre reinforced) colour light grey, similar RAL 7035 top cover: material PC (transparent) sheet steel mounting angle cable union PG11
	Ambient temperature	-30...85°C
	Membrane	silicone, LSR (Liquid Silicon Rubber)
	Protection	IP54 (according to EN 60529)
	Pressure connection	P1(+) higher, P2 (-) lower pressure, Ø 6.2 mm
	Protection class	II (according to EN 60730)
	Function	at pressure above the preset value: contacts 1-2 open, 1-3 close.

Accessories	<p>DS2-MR, included in the scope of delivery</p> <p>mounting ring</p> <p>ASD-06, included in the scope of delivery</p> <p>a connecting set containing:</p> <ul style="list-style-type: none"> 2 straight plastic connecting nipples 2m of PVC hose 4 screws <p>ASD-07, optional, 2 plastic connecting nipples (at 90° degree angle)</p>
Switching capacity	<p>5 (0.8) A, 250 V AC,</p> <p>4 (0.7) A, 30 V DC</p>
Contact	Potential-free single pole change-over switch multi-layer contact, galvanic golded
Cover	<p>base: material PC (10% glass fibre reinforced)</p> <p>colour light grey, similar RAL 7035</p> <p>top cover: material PC (transparent)</p> <p>sheet steel mounting angle</p> <p>cable union PG11</p>

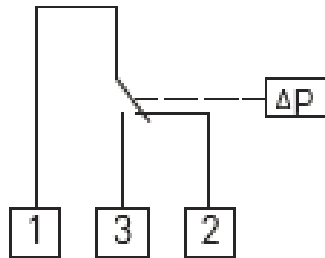
Sensor types

The switches are delivered with different adjustable pressure ranges:

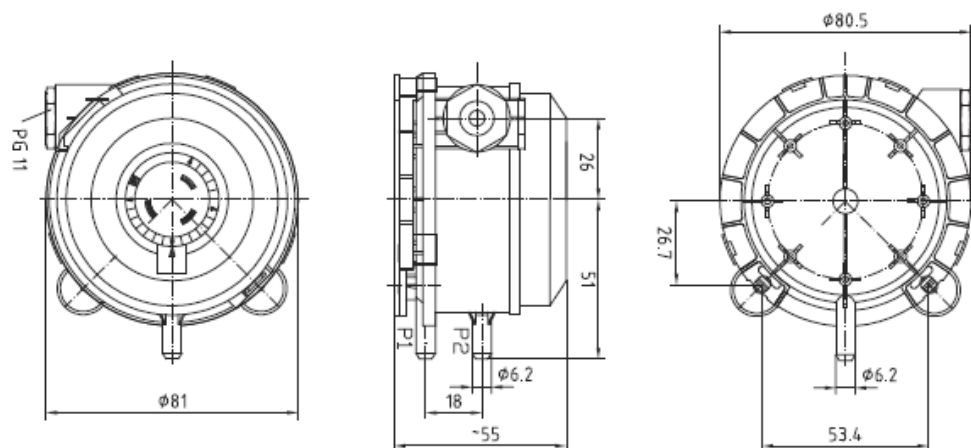
Type	Pressure range	Hysteresis	Max. pressure
DS-205F	20...300 Pa	10 Pa	5000 Pa
DS-205B	50...500 Pa	20 Pa	5000 Pa
DS-205D	100...1000 Pa	40 Pa	5000 Pa

Terminals

No pressure applied:



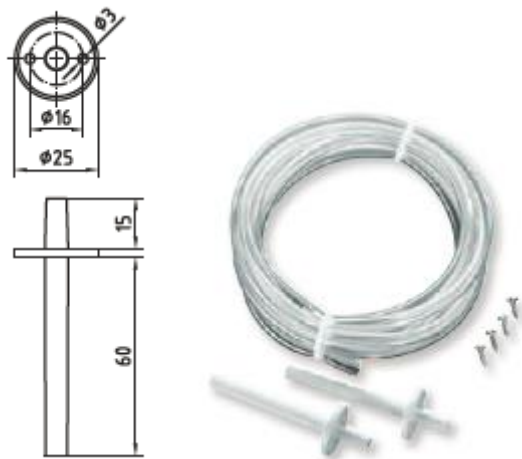
Dimensions



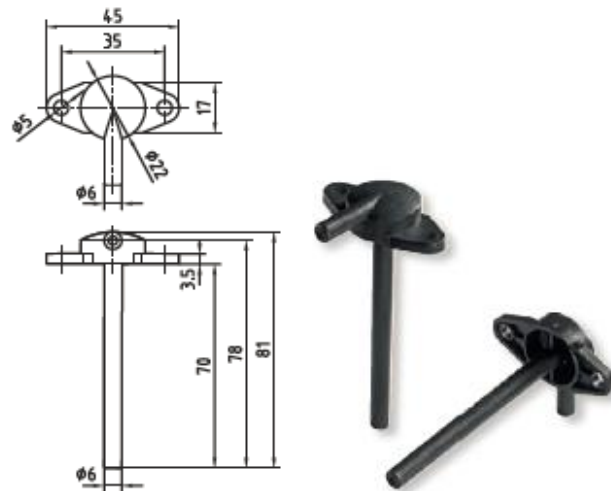
Dimensions are in *mm*.

Accessories

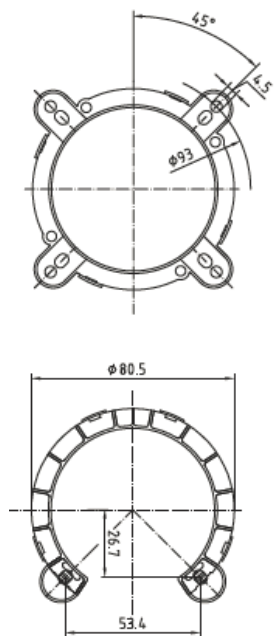
ASD-06



ASD-07



DS2-MR



Dimensions are in *mm*.

**Changes in
versions**

05/2016 — New datasheet formatting.