

Water Level Controller

Type BX (Chamber Mounted Models)

Description

BX water level controller is a comprehensive range of magnetically operated water level controls.

They are designed to meet all the requirements for automatic on/off control of boiler feed pump, burner cut-out, high and/or low level alarm or any combination of these.



Cast steel Chamber

Operation

A primary permanent magnet attached to the float rod slides vertically inside a non-magnetic stainless steel center tube and transmits the movements of the float to a secondary magnet in each switch unit.

There are two pairs of contacts which are operated with a snap action and held by repulsion between the secondary magnet and the tertiary magnet of the switch unit assembly.



Cast iron Chamber

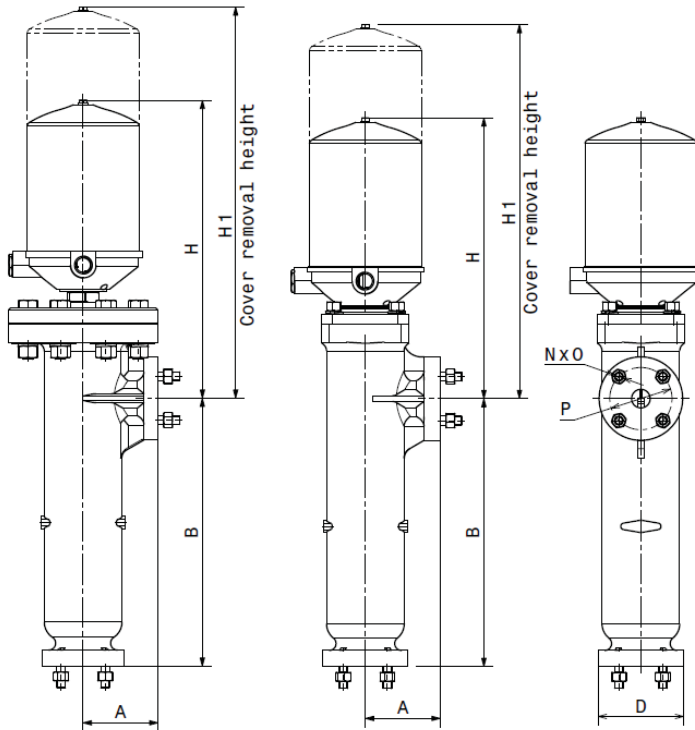
Limiting conditions

Maximum working pressure for the Cast iron material is 10 bar and for the Cast steel material is 20 bar.

Dimensions and pipe connections

Dimensions (approx.) in mm

Size	Chamber material	Type number	Operating Range (mm)	No. of switches	Dimensions							
					Flanged connections (Inlet and outlet)				A	B	H	H1
					D	N	O	P				
1" DN25	Cast iron	BX 02/1	62	1	BS 4504 (PN16)				102	266	295	405
		BX 05/2	150	2	115	4	M12	85		366	395	600
	Cast steel	BX 09/1	62	1	BS 4504 (PN40)				102	266	315	425
		BX 10/2	150	2	115	4	M12	85	101	366	415	620

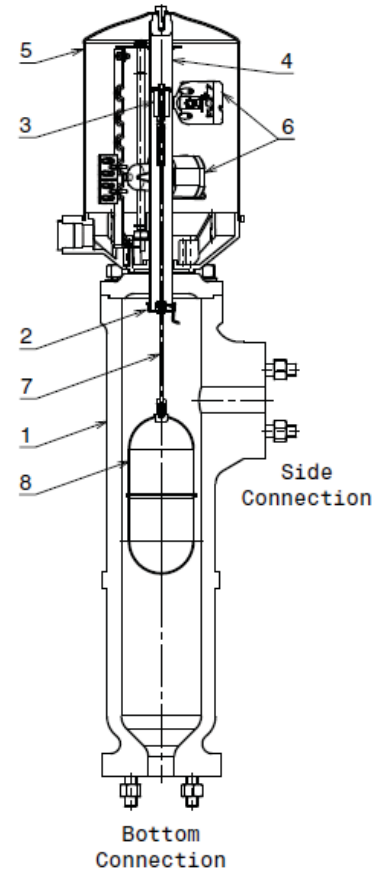


Bottom and Side Connection

N = No. of tapped holes

O = Thread size

P = Pitch circle dia.



Material

Item	Part name	Material
1	Chamber	Cast iron Cast steel
2	Stop cap	Stainless Steel
3	Magnet	-
4	Center tube	Stainless Steel
5	Switch head	Aluminum
6	Switch units	Cast ceramic
7	Float road	Stainless Steel
8	Float	Stainless Steel